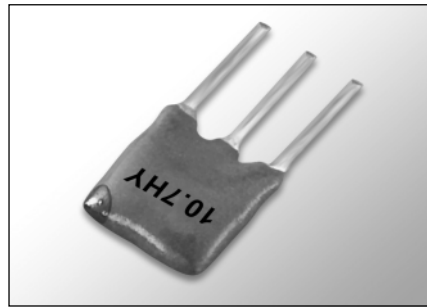


Ceramic Filter

Features

- * Three Pins Filter
- * For FM
- * Wide/Narrow Band-width Type
- * Color Code of Center Frequency (Refer to Standard Rule)



Technical Characteristics

Part Number	3dB Bandwidth (KHz)	20dB Bandwidth (KHz) max.	Insertion Loss (dB)	Spurious Attenuation (9~12MHz) (dB) min.	Input/Output Impedance (Ω)
LT10.7MA19- □	350 min.	950	3±2	20	470
LT10.7MA20- □	330±50	680	4±2	30	330
LT10.7MHY- □	110±30	350	7±2	30	330
LT10.7MFP- □	20 min.	95	6.0 max.	24	600

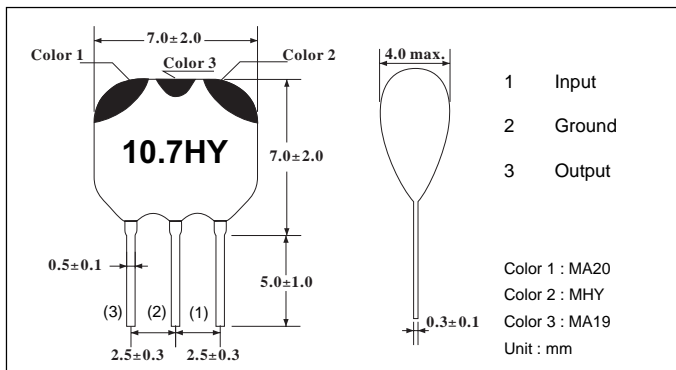
Remark:

1. All specifications are subject to change without further notice.
2. Spurious Attenuation range of LT10.7MFP: 10.70±1.00MHz.
3. Dimension of LT10.7MFP: (10.0±2.0) x (10.0±2.0) x 4.0 Max.

Standard Rule

Center Frequency	Code	Color
10.700MHz±30KHz	A	Red
10.670MHz±30KHz	B	Blue
10.730MHz±30KHz	C	Orange
10.640MHz±30KHz	D	Black
10.760MHz±30KHz	E	White

Dimensions



Test Circuit

