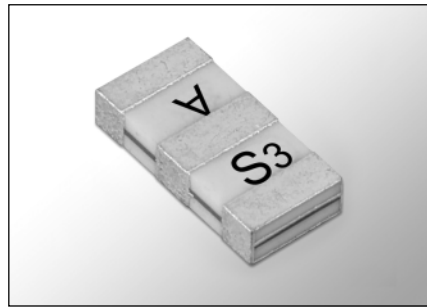


## SMD Ceramic Filter

### Features

- \* Three Pads Filter
- \* For FM
- \* Color Code of Center Frequency (Refer to Standard Rule)



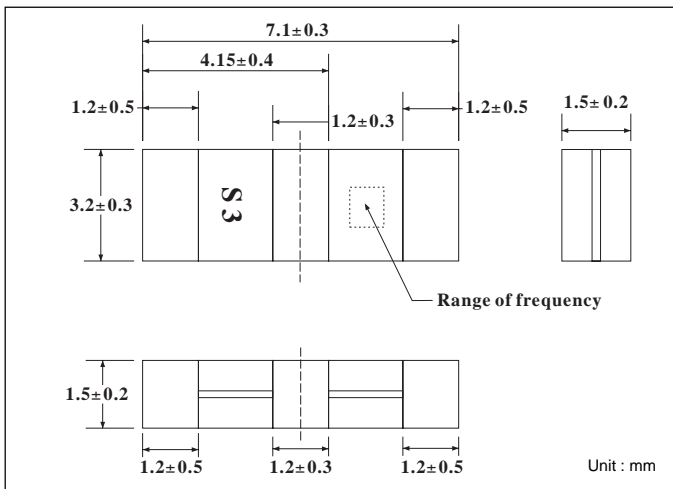
### Technical Characteristics

Part Number	3dB Bandwidth (KHz)	20dB Bandwidth (KHz) max.	Insertion Loss (dB) max.	Spurious Attenuation (9~12MHz) (dB) min.
LTCA10.7MA5-□	280±50	650	6	30
LTCA10.7MS2-□	230±50	600	6	30
LTCA10.7MS3-□	180±40	520	7	30
LTCA10.7MJ-□	150±40	430	10	30
LTCV10.7MA5-□	280±50	590	3.0±2.0	35
LTCV10.7MS2-□	230±50	510	3.5±2.0	35
LTCV10.7MS3-□	180±40	470	4.0±2.0	35
LTCV10.7MJ-□	150±40	380	10	30

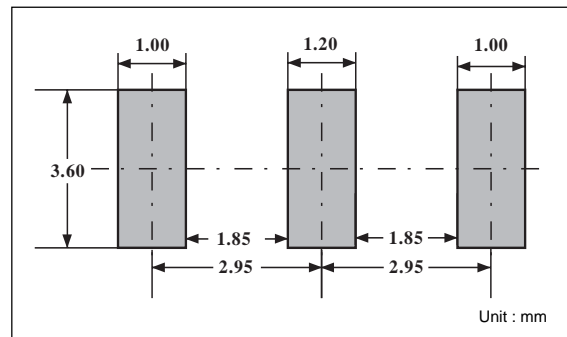
Remark:

1. All specifications are subject to change without further notice.

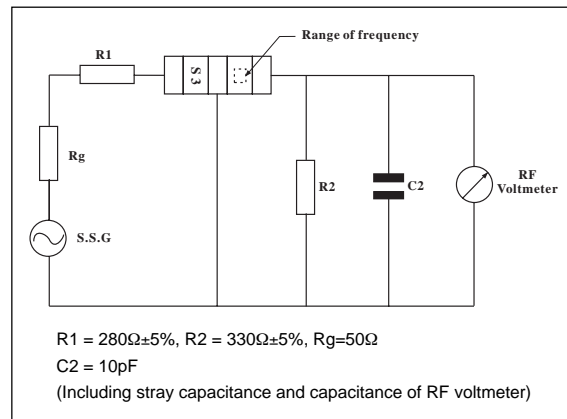
### Dimensions



### Recommended Land Pattern



### Test Circuit



### Standard Rule

Center Frequency	Code	Color
10.700MHz±30KHz	A	Red
10.670MHz±30KHz	B	Blue
10.730MHz±30KHz	C	Orange
10.640MHz±30KHz	D	Black
10.760MHz±30KHz	E	White